

outlet junction box does not have a ground junction box wire, insert the Ground Screw (C) into the Mounting Plate (B) where it's marked "Ground" facing downward, and wrap the fixture ground wire around the Ground Screw (C).

8. Tighten the Ground Screw (C) to clamp the Ground Fixture Wire between the head of the Ground Screw (C) and the Mounting Plate (B). It is imperative that the ceiling outlet junction box in your home be properly grounded!
9. Connect the neutral fixture wire to the neutral junction box wire; it usually has white insulation around it. Fasten these together with a Wire Connector (A) and wrap the connection with electrical tape. Make sure no wire strands are exposed.
10. Connect the hot fixture wire to the hot junction box wire; it usually has black insulation around it. Fasten these together with a Wire Connector (A) and wrap the connection with electrical tape. Make sure that no wire strands are exposed. Do not reverse the hot and neutral connections or safety will be compromised.
11. Gently tuck the wire connections neatly

into ceiling outlet junction box.

12. Place the Canopy (F) over the ceiling outlet junction box, aligning the screws with the mounting holes on the Canopy (F). Secure the Canopy (F) by tightening the Canopy Screws (E).
13. Insert EIGHT (8) 25-Watt maximum Type T standard medium base incandescent light bulbs (not included) or EIGHT (8) 6-Watt compact fluorescent light bulbs (not included) or EIGHT (8) 4-Watt LED light bulbs (no included) into the sockets. Do not exceed specified wattage. For your convenience, EIGHT (8) 1.5-Watt LED bulbs are included with the chandelier.
14. Restore the power to junction box and test the fixture.
15. Installation is now completed.



**LUMANITY**  
LIGHTING

## CARE INSTRUCTIONS

- ✓ Wipe clean with a soft, dry cloth or static duster.
- ✓ Always avoid the use of harsh chemicals or abrasive cleaners as they may cause damage to the chandelier's finish.



**LUMANITY**  
LIGHTING

**We can't wait to see what you did with the place. Take before and after pics, then join us by sharing @lumaniylighting on Instagram.**

**LUMANITYLIGHTING.COM**

## L090-0018 Pipeline Chandelier INSTALLATION INSTRUCTIONS

Lumaniy is lighting for all. But this particular fixture is all yours. With the help of these instructions, DIY stardom is only moments away.

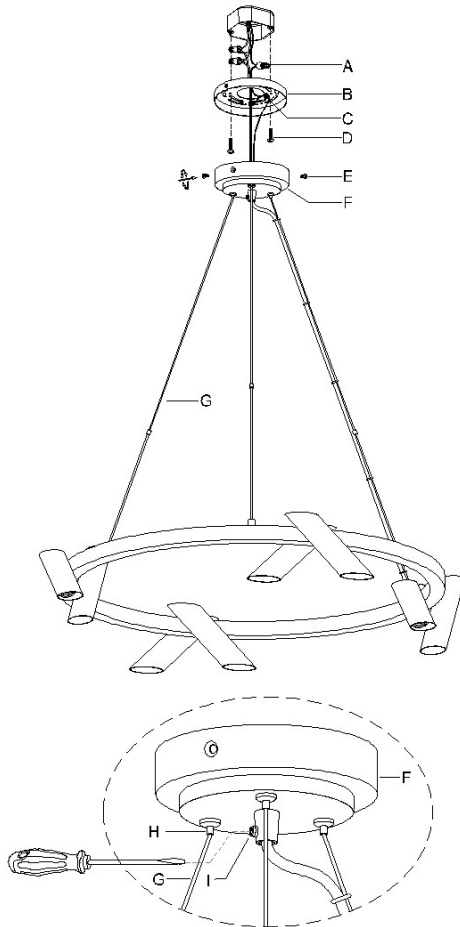
**So get ready. Let's show the world your style.**

## PARTS ENCLOSED

		QTY
A	Wire Connector	3
B	Mounting Plate	1
C	Ground Screw	1
D	Mounting Screw	2
E	Canopy Screw	3
F	Canopy	1
G	Steel Cable	3
H	Cable Gripper	3
I	Power Cord Screw	1

## WARNINGS

- ✓ Before installing the chandelier, make sure the power to the circuit is turned off at the main fuse box/circuit breaker utility box.
- ✓ To reduce the risk of fire, electrical shock or personal injury, always turn off the chandelier and allow it to cool prior to replacing light bulbs.
- ✓ Do not touch the bulbs when the chandelier is turned on. Do not look directly at lit bulb.
- ✓ Keep flammable materials away from lit bulb.



## SAFETY FIRST

- ✓ This chandelier is meant for indoor use, **dry locations only**.
- ✓ Do not use the electric cord to support the weight of the chandelier.
- ✓ These instructions are provided for your safety. It is important that they are read carefully and completely before beginning the installation of this lighting fixture.
- ✓ For your safety, it is strongly recommended that **two** people install the lighting fixture.
- ✓ **This product must be installed in accordance with the applicable installation codes by a person familiar with the construction and operation of the product and the hazards involved.**
- ✓ Save these instructions.

## ASSEMBLY INSTRUCTIONS

Remove all parts and hardware from the box along with any plastic protective packaging. Do not discard any contents until after assembly is complete to avoid accidentally discarding small parts or hardware.

- 1. Shut off the main electrical supply from the main fuse box/circuit breaker.**
2. Attach the Mounting Plate (B) onto the ceiling outlet box using the Mounting Screw (D). Tighten the screws with a screwdriver until secure.
3. Adjust the Steel Cable (G) length by pushing the Cable Gripper (H) on the Canopy (F) and pull the Steel Cable (G) as desired. Make sure all three cables are the same length so that the chandelier is level.
4. Loosen the Power Cord Screw (I) located on the center of the Canopy (F) using a flat head screwdriver by turning counter-clockwise. Pull the power cord up or down to adjust the chandelier for a new

- desired suspension length, and then tighten the Power Cord Screw (I) using the flat head screwdriver. NOTE: Do not over tighten the Power Cord Screw (I), but confirm that the power cord is reliably secured in place.
5. Gently pull the existing ground, hot, and neutral junction box wires down from the ceiling junction box and allow these to hang.
  6. Carefully inspect the chandelier wires. The neutral fixture wire is white. The hot fixture wire is silver, and the ground fixture wire is in green.
  7. Attach the ground wire from the fixture to the ground junction box wire; it usually has green insulation around it or is bare wire. Fasten these together with a Wire Connector (A) and wrap the connection with electrical tape. Make sure that no wire strands are exposed. If the ceiling